

### TYPE PATRIOT® PAT600-18V

#### BATTERY ACTUATED TOOL – Hydraulic Self-Contained – 6 Ton

The BURNDY® PAT600-18V battery powered crimping tool provides a powerful 6 tons of crimping force and completes a crimp in approximately 3 seconds. The PAT600-18V is compact, easy to use and incorporates the latest in battery tool technology. The PAT600-18V tool incorporates a specialized latch style head with enhanced working stroke and clearance capabilities. The specialized head allows interference-free closure on tap connections up to the BURNDY® YHD-400 size including 350 kcmil aluminum connectors. Die selection with this tool includes all BURNDY® “W” and “W-VT” style dies which seat in the permanent “D<sub>3</sub>” crimping groove. Installation applications include #8 AWG to 600 kcmil copper lugs and splices, #8 AWG to 350 kcmil aluminum lugs and splices (YA-A and YS-A), and up to 4/0 aluminum tap connections. The permanent “D<sub>3</sub>” groove and 180 degree rotatable head are standard on the PAT600-18V.

Each PAT600-18V tool uses BURNDY® dies and off-the-shelf connectors available worldwide. The PAT600-18V comes equipped with a high impact formed carrying case to hold the tool, a battery charger and two batteries. The case houses up to 10 “W” dies (dies purchased separately). The PAT600-18V uses industry standard batteries and chargers. The PAT600-18V comes complete with a 5-year limited warranty and one year on batteries and charger.



#### Features and Benefits

- Battery powered crimp technology.
  - ◇ Easy tool operation and portability.
- Advance design high speed pump completes crimp in approximately 3 seconds.
  - ◇ Longer life, efficiency, and reliability.
- Ergonomic design allows one hand operation for ram advance and ram retraction.
  - ◇ User always has one hand free to manipulate connector and conductor.
- Variable speed trigger.
  - ◇ Provides flexibility in speed of ram advance.
- Ram holds position when trigger is released.
  - ◇ Provides ability to hold the connector between dies and check for proper alignment prior to crimping action.
- Mechanical ram release.
  - ◇ Reliable ram release (no battery power consumption).
- Specialized latch head design.
  - ◇ Provides enhanced clearance on tap connectors when compared with competitive designs.

#### SPECIFICATIONS

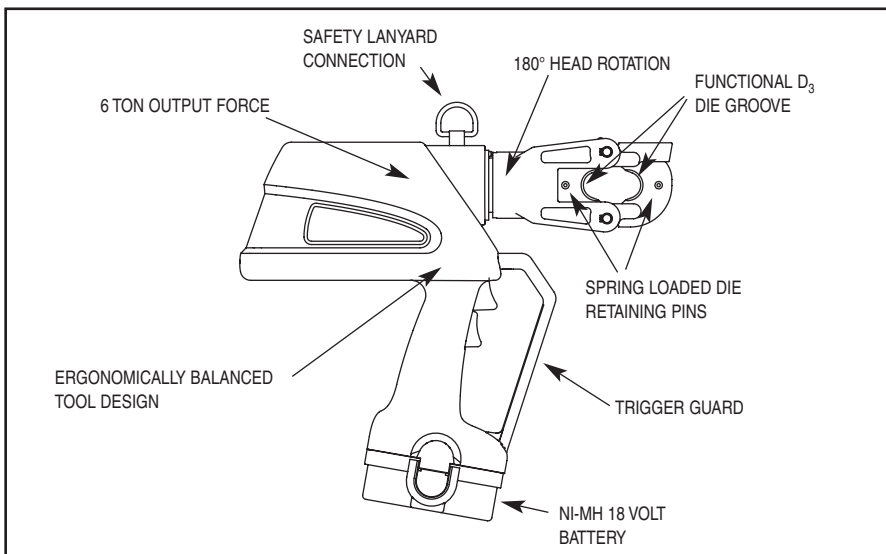
Crimp Force:	6 Tons (US) (5.4 metric tons)
Tool Weight:	10.9 lbs (4.9 kg)
Length:	14.5" (36.8 cm)
Width:	3.5" (8.9 cm)
Height:	13.75" (34.9 cm)
Operating Voltage:	18 V-DC
Crimp Time:	Approx. 3 seconds
Recharge Time:	< 45 mins.

#### FOR USE ON

- Copper, Aluminum, ACSR, Steel, Copperweld, Alumoweld, 6201, 5005, Compressed, Compact, Stranded & Solid
- Installs splices, taps, or terminations:
  - #8 - 600 kcmil Copper Str. (YA, YA-L, YS, YS-L)
  - #8 - 350 kcmil Flex
  - #8 - 350 kcmil Aluminum (YA-A & YS-A)

#### ACCESSORIES

- **Lanyard:** Cat# **PT208620**
- **W Die Holder** Cat# **WDIETREE**
- **Battery:** Hi-capacity Cat# **BAT18V** (2200 mA-hr)
- **Battery with LED light:** (3000 mA-hr) Cat# **BAT18VLED**
- **Charger:**
  - 120V-AC Cat# **PATCHGR18V**
  - 12/24V-DC Cat# **BCT/PATDCCHGR**
  - 240/250V-AC Cat# **PATCHGR250V**



- 180 degree head rotation.
  - ◇ Versatile tool head positioning lets user get into tight areas easier.
- Uses 18 volt Ni-MH batteries.
  - ◇ Eliminates voltage depression or “memory”.
- Audible pressure “pop-off” valve.
  - ◇ Indicates properly completed crimp.
- Permanent D<sub>3</sub> crimp groove accepts all “W-Dies”.
  - ◇ Uses standard die design with proven performance.
- PAT600C-18V with covered head is available.
  - ◇ Covered head for impact protection.
- Durable high impact formed carrying case.
  - ◇ Provides tool protection and stores all accessories.
- 5-year limited warranty on tool, 1 year on batteries and charger.
  - ◇ Customer satisfaction and support.