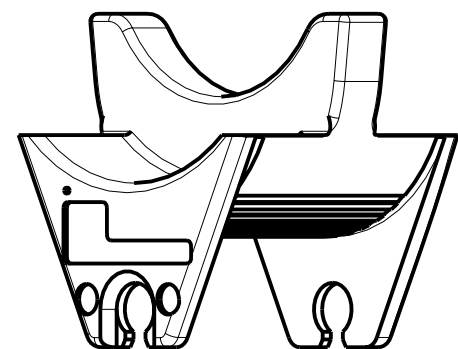
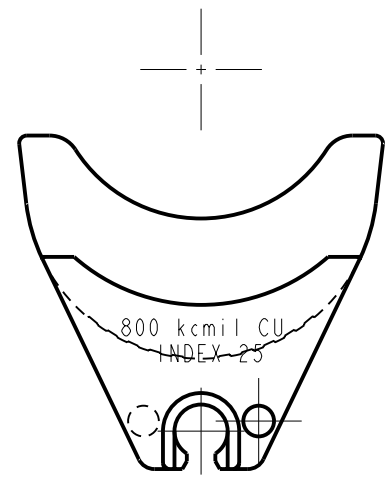
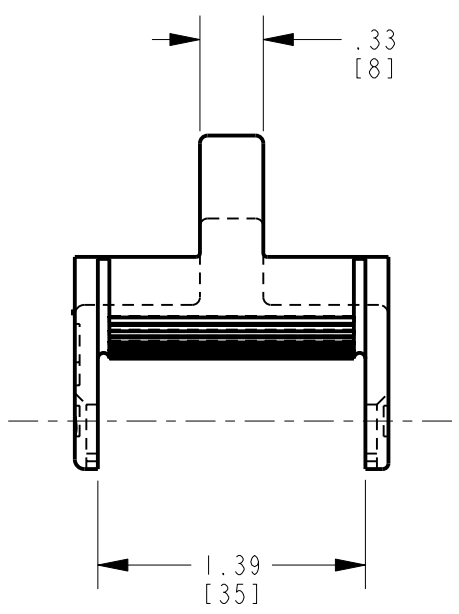
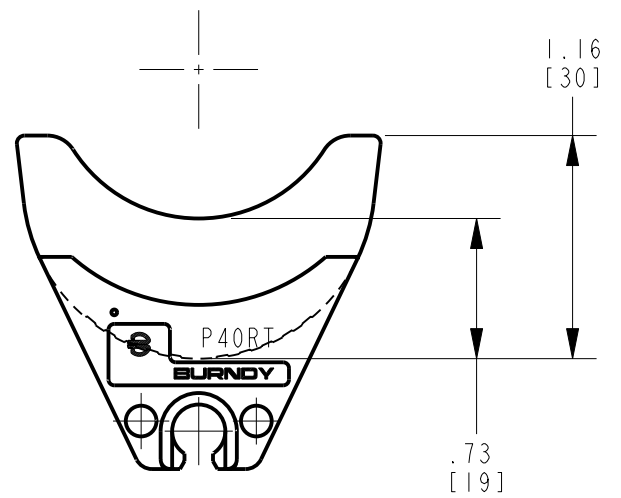
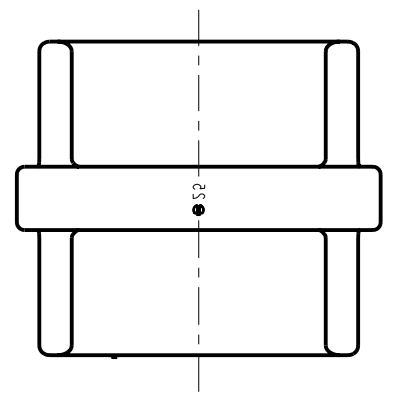


REV.	DATE	DESCRIPTION	ECO	BY	C'H'K.
A	7/5/2010 2:12:00 PM	NEW SALES DRAWING	21399	IA	JG



NOTES:

1. DIMENSIONS IN BRACKETS [] ARE IN MILLIMETERS ROUNDED OFF TO THE NEAREST MILLIMETER, UNLESS OTHERWISE SPECIFIED, AND ARE FOR REFERENCE ONLY.
2. MATERIAL: STAINLESS STEEL.
3. USED IN Y46 HYPRESS™ TOOL.

TO ORDER BURNDY® PRODUCTS CALL
 UNITED STATES:
 1-800-346-4175 (LONDONDERRY, NH)
 CANADA:
 1-800-361-6975 (QUEBEC)
 1-800-387-6487 (ALL OTHER PROVINCES)
 FOR PRODUCT INFO: <http://www.burndy.com>

CIRCULAR NON-BUTTING TWIN DIE	
ITEM NO:	N/A
CAT. NO:	P40RT
DRAWN BY:	I. ANBALAGAN 07/02/10
CHECKER:	--
DSN APPVL:	--
MFG APPVL:	--
QA APPVL:	--
MKT APPVL:	--
PROD FAM:	TOOLS/HYDRAULIC/P-DIES
PROJECT #:	--
DOCUMENT TYPE:	Sales
REL LEVEL:	Released
SCALE:	1:1
DRAWING NO	30004059
REV	A
SHEET 1 OF 1	

REV: PE0200

