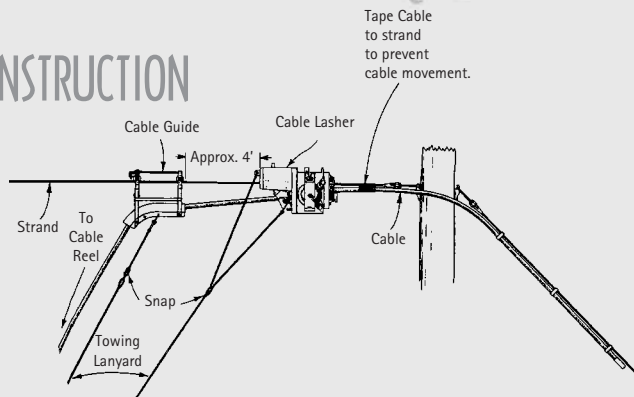


How To AERIAL CABLE PLACEMENT

MOVING REEL METHOD — NEW CONSTRUCTION

The Moving Reel Method of placing lashed aerial cable is used where a cable reel trailer or aerial lift truck can be moved along the pole line and there are no obstructions to prevent raising the cable to the suspension strand. This method may be used when placing an initial cable on suspension strand or when lashing cable to an existing lashed cable and strand.



C CABLE LASHER — For cables or cable bundles up to 1-5/8 in. (4.1 cm) on strands 1/4 in. to 3/8 in. Positive mechanical brake prevents lasher back-up until brake is released. Built to last, the parts are made from plated steel, stainless steel, brass or aluminum. Unit contains sealed and self-lubricating bearings to minimize maintenance and assure durability. Wt. 33 lbs. (15 kgs) (Lasher only) P/N 71420



J2 CABLE LASHER — For cables to 3 in. (7.6 cm) on strands 1/4 in. to 7/16 in. This machine has overlashing capability with the turn of a lever. Positive internal gear-to-gear mechanism has no chains or belts to stretch, slip or break. Positive mechanical brake prevents lasher reverse until brake is released. Wt. 46 lbs. (20.9 kgs) (Lasher only) P/N 86070



TOWING LANYARD — Towing Lanyard 35 ft. Used for pulling cable lashers and aerial cable guides. Attaches to lasher bridle. Wt. 6 lbs. (2.7 kgs) P/N 70190



LASHING WIRE — Made from various grades of stainless steel and designed to fit the C, J2 or Apollo Lashers. Wire diameter is either .038 or .045 in. diameter, in lengths of 1200 or 1600 ft. *Sold in cartons of 6 coils each.*

430 STAINLESS STEEL LASHING WIRE — for general use in ordinary atmospheric conditions

302 STAINLESS STEEL LASHING WIRE — used in corrosive environments and has a higher tensile strength

316 STAINLESS STEEL LASHING WIRE — provides the best insurance against failure under the most severe atmospheric conditions including chlorides and sulfides

71530	430 SS	.045" x 1200'	Wt. 39 lbs./ctn.
71533	302 SS	.045" x 1200'	Wt. 39 lbs./ctn.
71534	316 SS	.045" x 1200'	Wt. 39 lbs./ctn.
71535	302 SS	.038" x 1600'	Wt. 39 lbs./ctn.

To estimate amount of lashing wire for a particular job, use the following:

Add 5% to length for Cable Bundles up to 1.5 in. diameter

Add 10% to length for Cable Bundles ranging from 1.5 to 3.0 in. diameter

Add 20% to length for Cable Bundles exceeding 3.0 in. diameter



AERIAL CABLE GUIDE — Single-Lashing Aerial Cable Guide Wt. 8 lbs. (4 kgs) P/N 70055



LASHING WIRE GRIP — Temporarily secures any size lashing wire to suspension strand before releasing tension. Single grip groove fits all strand sizes. Wt. 10 oz. (.28 kg) P/N 08605



D LASHING WIRE CLAMP — For lashing wire termination. Paired grooved plates, threaded stud equipped w/flange shoulder, two hexagonal nuts, washer. Long-end nut tightens clamp on strand; short-end nut terminates wire. Hot-dipped galvanized finish. Clamping range: 1/4 in. to 7/16 in. 100/pk. Wt. 15 lbs. (7 kgs) P/N 07886



B CABLE GUARDS — These 8 in. (20 cm) long slit polyethylene tubes are available in four (4) different diameters to help prevent cable sheath abrasion where strand is attached to poles. Standard pack: 25. P/N 74218 (.5 in.), 74222 (1 in.), 74226 (1.5 in.), 74228 (2 in.)

HOW TO: AERIAL CABLE PLACEMENT



MOVING REEL METHOD — OVERLASH CONSTRUCTION



C CABLE LASHER — For cables or cable bundles up to 1-5/8 in. (4.1 cm) on strands 1/4 in. to 3/8 in. Positive mechanical brake prevents lasher back-up until brake is released. Built to last, the parts are made

from plated steel, stainless steel, brass or aluminum. Unit contains sealed and self-lubricating bearings to minimize maintenance and assure durability. Wt. 33 lbs. (15 kgs) (Lasher only) P/N 71420



J2 CABLE LASHER — For cables to 3 in. (7.6 cm) on strands 1/4 in. to 7/16 in. This machine has overlapping capability with the turn of a lever. Positive internal gear-to-gear mechanism has no chains or belts to stretch, slip or break. Positive

mechanical brake prevents lasher reverse until brake is released. Wt. 46 lbs. (20.9 kgs) (Lasher only) P/N 86070



TOWING LANYARD — Towing Lanyard 35 ft. Used for pulling cable lashers and aerial cable guides. Attaches to lasher bridle. Wt. 6 lbs. (2.7 kgs) P/N 70190



LASHING WIRE — Made from various grades of stainless steel and designed to fit the C, J2 or Apollo Lashers. Wire diameter is either .038 or .045 in. diameter, in lengths of 1200 or 1600 ft. Sold in cartons of 6 coils each.

430 STAINLESS STEEL LASHING WIRE — for general use in ordinary atmospheric conditions

302 STAINLESS STEEL LASHING WIRE — used in corrosive environments and has a higher tensile strength

316 STAINLESS STEEL LASHING WIRE — provides the best insurance against failure under the most severe atmospheric conditions including chlorides and sulfides

71530	430 SS	.045" x 1200'	Wt. 39 lbs./ctn.
71533	302 SS	.045" x 1200'	Wt. 39 lbs./ctn.
71534	316 SS	.045" x 1200'	Wt. 39 lbs./ctn.
71535	302 SS	.038" x 1600'	Wt. 39 lbs./ctn.

To estimate amount of lashing wire for a particular job, use the following:

Add 5% to length for Cable Bundles up to 1.5 in. diameter

Add 10% to length for Cable Bundles ranging from 1.5 to 3.0 in. diameter

Add 20% to length for Cable Bundles exceeding 3.0 in. diameter



DUAL-LASHING AERIAL CABLE GUIDE — This unit offers the versatility of working for new installations or for overlapping cable to existing plant. Cast aluminum shoe with a steel insert on the face provides longer

wear life. The shoe is suspended on steel straps from two strand rollers that lock securely onto the strand. All parts are plated or painted for corrosion resistance.

Weight: 11 lbs. (5 kgs) P/N 08007



LASHING WIRE GRIP — Temporarily secures any size lashing wire to suspension strand before releasing tension. Single grip groove fits all strand sizes. Wt. 10 oz. (.28 kg) P/N 08605



D LASHING WIRE CLAMP — For lashing wire termination. Paired grooved plates, threaded stud equipped w/flange shoulder, two hexagonal nuts, washer. Long-end nut tightens clamp on strand; short-end nut terminates wire. Hot-dipped galvanized

finish. Clamping range: 1/4 in. to 7/16 in. 100/pk. Wt. 15 lbs. (7 kgs) P/N 07886



B CABLE GUARDS — These 8 in. (20 cm) long slit polyethylene tubes are available in four (4) different diameters to help prevent cable sheath abrasion where strand is attached to poles. Standard pack: 25.

P/N 74218 (.5 in.), 74222 (1 in.), 74226 (1.5 in.), 74228 (2 in.)

GMP

TOOLS BUILT TO GO THE DISTANCE



GENERAL MACHINE PRODUCTS CO., INC.

3111 Old Lincoln Highway

Trevese, PA 19053-4996 USA

Tel: 215.357.5500 • Fax: 215.357.6216

Email: info@GMPtools.com

Web: www.GMPtools.com

GMP reserves the right, without notice, to make changes in equipment design or components as progress in engineering or manufacturing methods may warrant.

© 2002 General Machine Products Co., Inc.